

Copper Sculptures, Inc. / Legendary Lighting, L.L.C.
Electronic Ignition Installation Procedures

The Copper Sculptures and Legendary Lighting Electronic Ignition System (*referred to as E.I.*) comes equipped with all the necessary components for operation via wall switch. *Please note that a wall switch is not provided with the lantern.*

For the lantern and E.I. to work properly, please refer to the following installation procedures:

1. Provided with each lantern is a **24 Volt, 20 VA, Class II AC (magnetic coil)** transformer. Unless the transformer has been factory installed, locate the transformer in an easily accessible *remote* location. ***If the home utilizes “SMART HOUSE” technology, please contact Tech Support (800-350-5361) before proceeding with installation.***
2. Connect the *green* and *blue* wires *from the lantern* to the low-voltage output side of the transformer.
3. Connect the 110-volt power supply wires to the input side of the transformer. *Refer to the wire gauge chart on the installation diagram for proper sizing.*
4. Connect the gas supply line to the ¼” flare fitting inside wall bracket and turn on the gas supply. *Make sure to check the connection for gas leaks via a soap water test; if air bubbles appear, shut-off main gas supply and tighten all fittings. Never use an open flame to check for gas leaks.*
5. After inspection of all electric and gas connections, open the gas valve located at the base of the burner stem by turning clockwise to the ‘on’ position.
6. Ignite the lantern by flipping the wall switch or circuit breaker to the ‘on’ position.

Please Note:

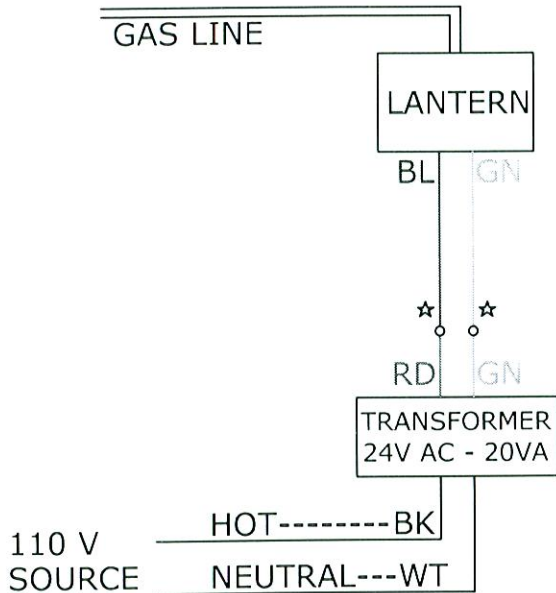
Do not connect the E.I. directly to 110 volts.

20 VA minimum is required per lantern.

Failure to follow the above procedures will result in damage to the E.I. and void the warranty.

SUGGESTED INSTALLATION DIAGRAM

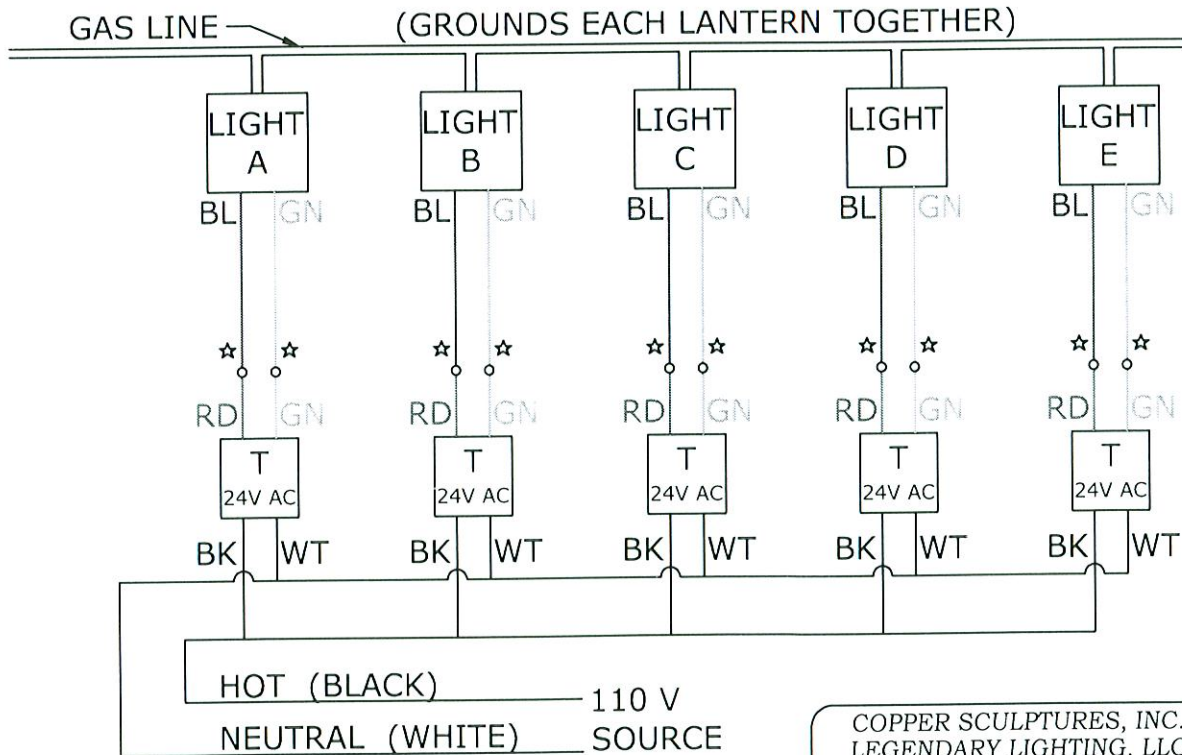
RECOMMENDED FOR ONE LANTERN/ONE 20VA TRANSFORMER



☆ WIRE GAUGE	MAXIMUM FOOTAGE
10	325
12	200
14	125
16	80
18	50

TRANSFORMER (24V AC CLASS II 20VA)

* INSTALLATION FOR MULTIPLE LANTERNS

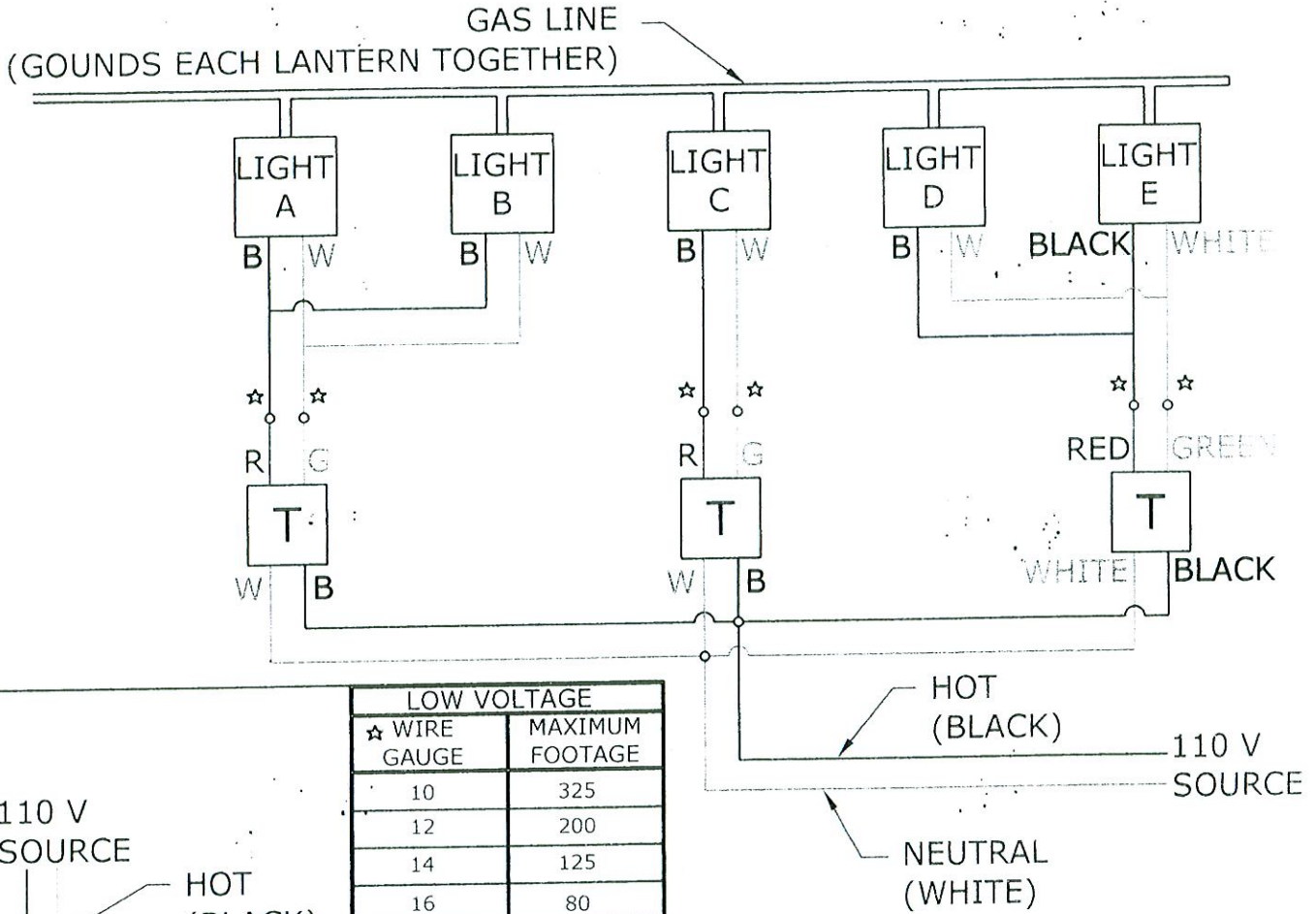


COPPER SCULPTURES, INC.
LEGENDARY LIGHTING, LLC

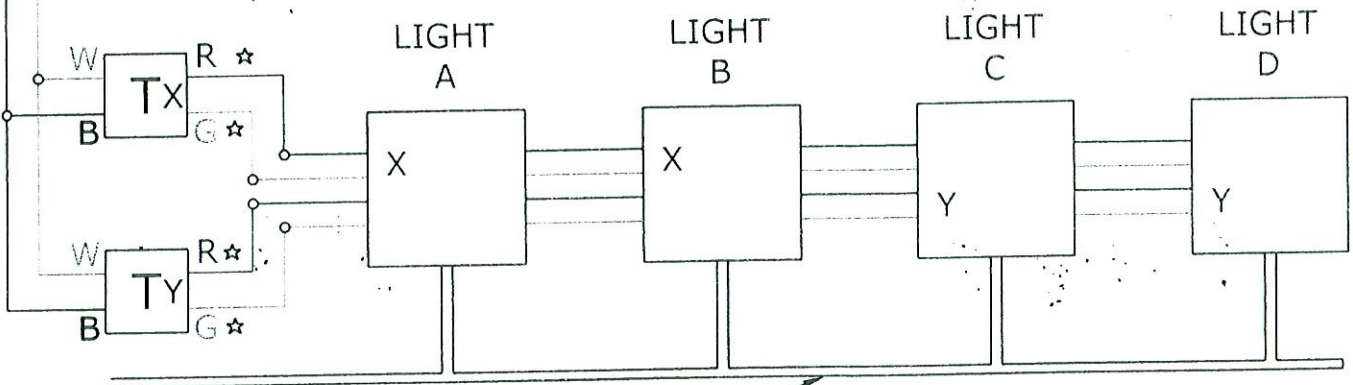
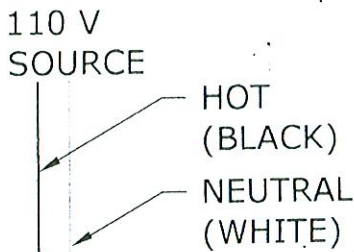
DWG. TITLE: INSTALLATION DIAGRAM FOR E.I./TRANSFORMER		
Drawn by: RVM	Const./E.I. TRANS_INSTALL DIAGRAM	
Date: 2-25-09	SCALE: FULL	CHK. BY: REFERENCE

THIS DRAWING TAKES PRECEDENCE OVER ALL PRIOR REVISIONS

SUGGESTED INSTALLATION DIAGRAM



LOW VOLTAGE	
★ WIRE GAUGE	MAXIMUM FOOTAGE
10	325
12	200
14	125
16	80
18	50



GAS LINE
(GOUNDS EACH LANTERN TOGETHER)

**ONE TRANSFORMER
PER TWO LANTERNS**

LEGENDARY LIGHTING, L.L.C.
COPPER SCULPTURES INC.
INSTALLATION DIAGRAM

DATE	SCALE	DRAWN BY
3/2/04	FULL	A. Harris

**Electrical Line Size Required
for 24 Volt A.C. Class II
Minimum 40VA Transformer
(For A Maximum of Two Lights Connection)**

Wire Gauge	Maximum Footage
10	325
12	200
14	125
16	80
18	50
20	32
22	20
24	13
26	8

We recommend that no less than 18 gauge be used for any distances equal to or less than fifty (50) feet and for distances greater than fifty (50) feet do not use any wire gauges less than those noted above.